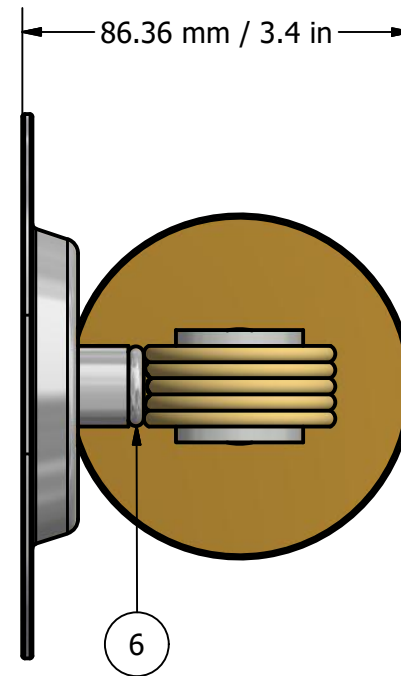
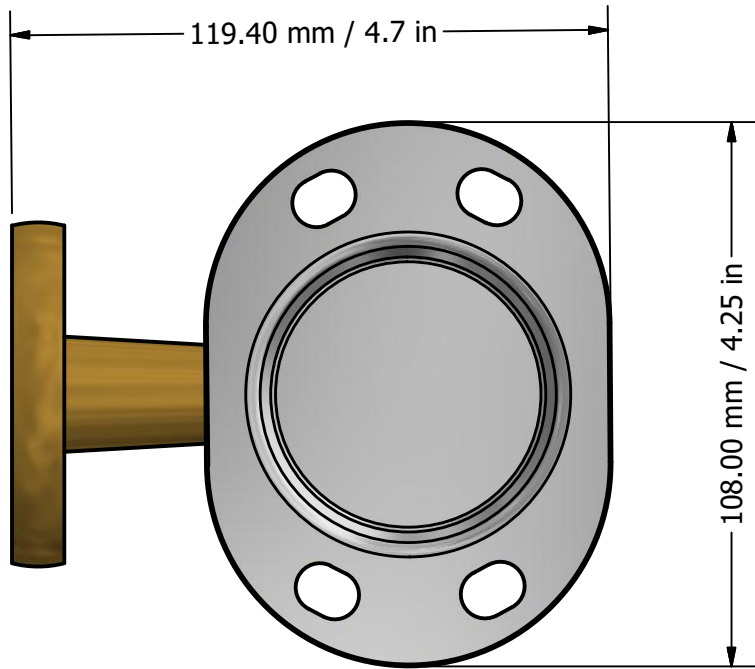
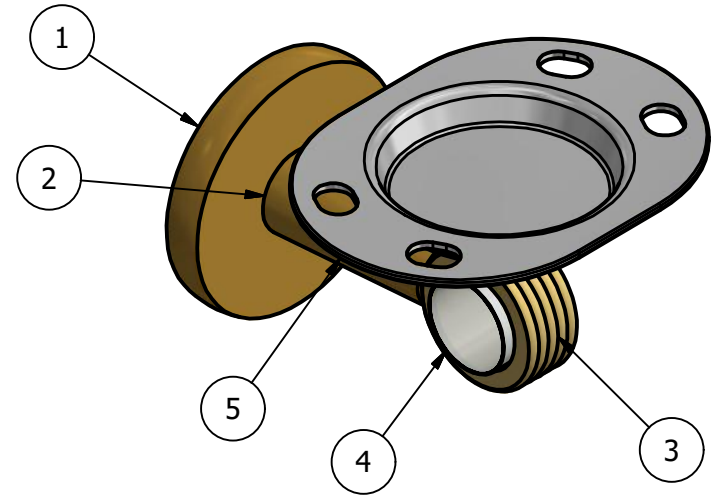
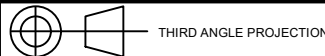


PARTS LIST			
ITEM	QTY	PART NUMBER	DESCRIPTION
1	1	BPRD	BACKPLATE
2	1	CL-TB	POST
3	1	RGDTD-1	RING WITH NEW SIZE
4	1	AC-HHUB	ACRYLIC POST
5	1	HROVT	HOLDER
6	1	CRRD-12	CHECK RING



UNLESS OTHERWISE SPECIFIED	
.X	± .3mm
.XX	± .15mm
.XXX	± .008mm

UNIT IS IN MM.



DRAWN	10-15-18	IM	MATERIAL:	BRASS	FINISH	TBD		
CHECKED	10-15-18	P.D.	DESCRIPTION:		QTY	TBD		
APPROVED	10-15-18	R.A.	Clearview Collection Tumbler and Toothbrush Holder w/ Groovy Accent		DRAWING NO.			
					CV-26G		REV	
					SCALE	1.5:1	SHEET: 1 OF 1	A4

**APPROVED FOR PRODUCTION**  
By: RICHARD PAUL  
Date: 10-15-18